

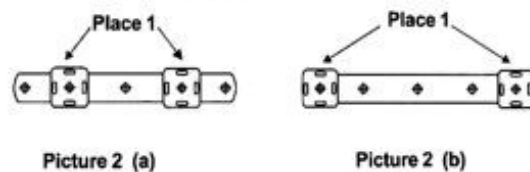
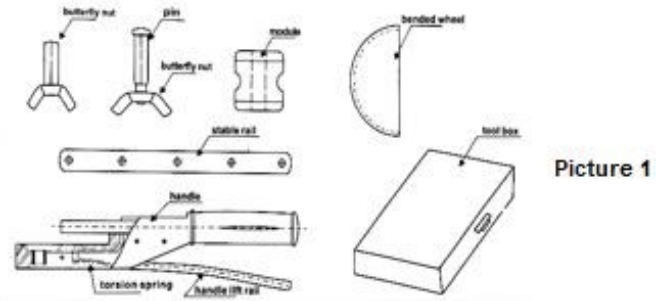
Manual Bending Tool Instructions

1. Summarize

This pipe-bending apparatus is a special tool which is used for bending the PE(X)-AL-PE(X) composite pipes. There are six kinds of flexional pipes: 1014, 1216, 1418, 1620, 2025, 2632. The bended angle can be controlled between 90 and 180 degree. This pipe-bending apparatus has simple structure, can be installed easily and quickly. It is convenient to operate and it is an indispensable supporting pipe-bending tool.

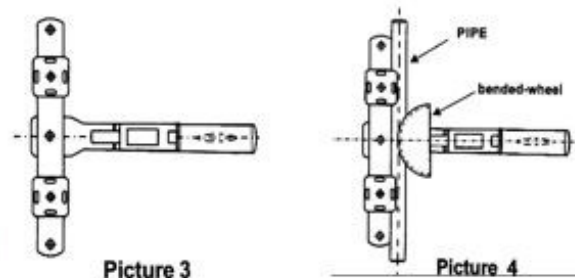
2. The steps of install

Install the hickey first before use this tool. The process is very facility. Please see Pic 1. After checking all of the spare parts(see No.4 about the number of spare parts), carry it out according to the following steps:



1) Intall the two modules to the stable rail separately with pin and butterfly nut. There are two position for installing on the rail. When the specification of pipes are: 1014, 1216, 1418, 1620, install the module at position 1, see Picture 2(a). When the pipes are 2025 and 2632, then intall the module at position 2, see pic 2(b).

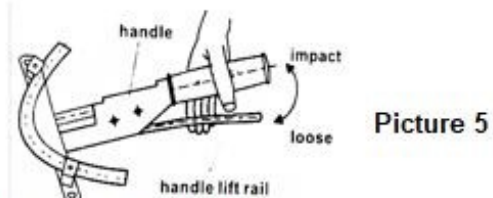
2) Then stable the rail in the groove of the handle with butterfly bolt. See pic 3.



3. The steps of operating

1) Set the pipe and bended-wheel. Put the pipe which should be bended across on the relevant groove in the module and pipe. Then insert the corresponding bended wheel to one side of the rack directly. See pic 4.

2) Bend the pipe. Impact it with hand-loosen-impact-loosen the rail. Do such action again and again, then the rack will take the bended-wheel move forward gradually, so as to bend the pipe to shape, See pic 5



3) Take out the pipe. When the pipe is bended to the needed angle, take gold of the handle with one hand, impact the rail with another hand, try to pull the handle and to make one side of handle and rail incline. In this case, the bended-wheel will back and fall with the rack, and then the shaped pipe can be taken out easily.

4. Attention instruction

1) Check the complete of this product before install and operate it. It should include the following spare parts and accessories.

Name	Handle & Rack	Stable Rail	Module	Pin & Butterfly	Butterfly Bolt	Bended Wheel	16, 20, 25, 32	Instructions	Toolbox
Number	1 Piece	1	1	2	1	6	1 Piece per kind	1	1

2) Don't throw the bended-wheel on the floor so as not to broke it.

3) The groove in the bended-wheel and module should fit the pipes so as not to broke the surface of pipes.

4) If the rack can't reset to its former when loosening it, that is because the torsion spring losts its flexibility by tension. Then change a new one.

5) Bend the pipe slightly with hands advance before bending pipe 2025 and 2632 so as to put them into the bended wheel.

6) When taking out the pipe, if the bended-wheel can't back after pulled the rack, rap the wheel with hand. Do not beat it with a hammer or bard object so as not to broke the surface of the pipe.